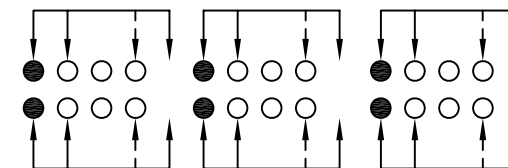
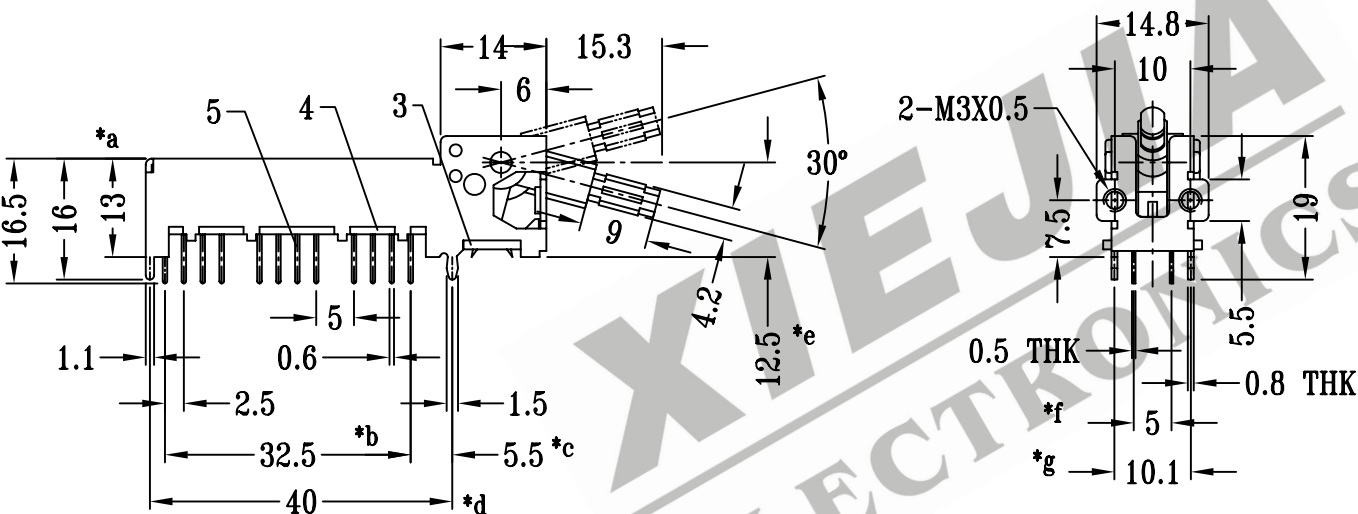
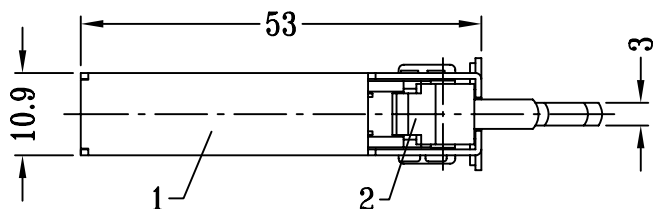
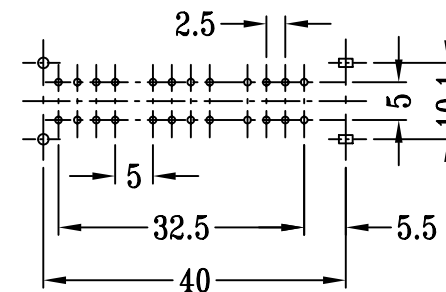


CAD FILE:



SCHEMATIC (NON-SHORTING)



P.C.B LAYOUT

10	CONTACT(CLIP)	PBS	6	Ag CLAD
9	SLIDER	POM	1	BLACK
8	SPRING	STEEL WIRE	1	TEMPER
7	RIVET	COPPER	2	Ni PLATED
6	STEEL BALL	STEEL	1	NATURAL
5	TERMINAL	BRASS STRIP	24	Ag PLATED OVER Ni PLATED
4	TERMINAL BASE	PHENOLIC RESIN	1	NATURAL
3	POSITION PLATE	POM	1	BLACK
2	KNOB	POM	1	BLACK
1	FRAME	STEEL STRIP	1	Ni PLATED
NO.	PARTS	MATERIALS	Q'TY	FINISH

TOLERANCE UNLESS SPECIFIED		SHENZHEN XIEJIA ELECTRONICS CO.,LTD.			
WITHIN: 1.5±0.1mm		ISSUE	DATE	DESCRIPTIONS OF REVISION	
OVER: 1.5±0.2mm				APPD.	
TITLE : TOOGGLE SWITCH			UNIT : mm	DRWG NO.: XJ-DR-NS62J01-00	
MODEL: NS-62J01			SCALE: 1:1	DWN.	ZHOUYU
				CHK'D	FANGYING
ALL MATERIALS MUST BE COMPLIANT TO ROHS				APPD.	KANGXINAN
					2001-11-15
					2001-11-15
					2001-11-15

注:带"*"表示关键尺寸(7个)